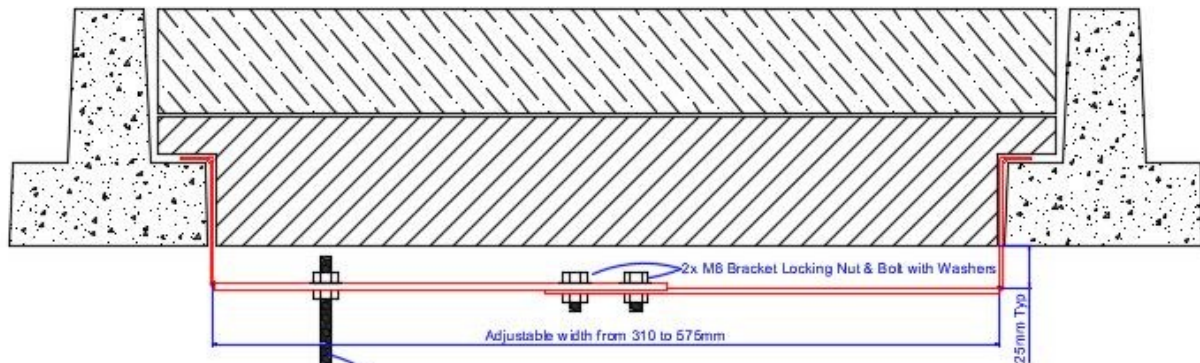


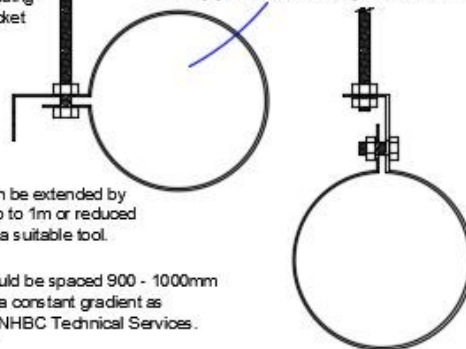
New Design 'Stiffer' Adjustable Single Bridge Support Brackets Technical Specification

New Adjustable Bridge Pipe Bracket for use with 155,175 & 225 Size Beams



Kit supplied M8 Stud provides a drop range from circa 25mm to 450mm pending orientation of the pipe bracket

The adjustable bracket has a slot allowing the position of the pipe bracket to be optimized for best fit



NB. Stud length can be extended by replacement up to 1m or reduced by cutting with a suitable tool.

Pipe brackets should be spaced 900 - 1000mm apart allowing for a constant gradient as recommended by NHBC Technical Services.

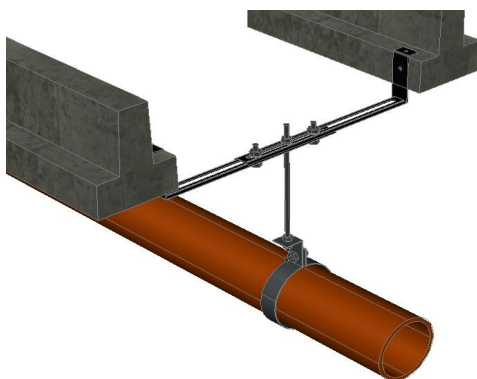
Each kit includes:

- 2 x 2mm Edge Formed Slotted Brackets
- 3 x 30mm M8 BZP Bolt
- 1 x 333mm M8 BZP Stud Length
- 6 x M8 Washers
- 7 x M8 BZP Nuts

NB Components are supplied None Assembled

All components are manufactured from Pre-galvanised Mild Steel BS EN 10346:2009 DX51D or Mild Steel / Zinc Plated BS EN 150898 / ISO4042

Should your application require higher corrosive protection this product can be supplied in Stainless Steel



The new adjustable bracket features a stronger press formed design increasing rigidity, stability and load bearing by 30% compared to the standard design. This increased performance negates the need for additional stiffener plates, added cost and complexity.

Additional holes at each end of the bracket aid retention and security into mortar beds where used or for fixing into timber structures increasing the versatility.

Gordon Products Ltd - Developing & Manufacturing Metal Components since 1965

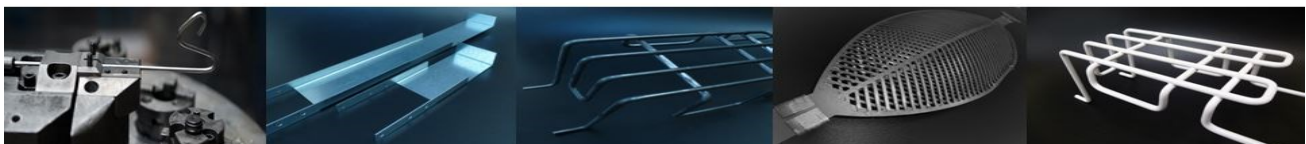
Wire Forms

Forming & Pressing

Welding

Laser Cutting

Paint & Coatings



For more information check out our website at www.gordonproducts.co.uk

Gordon Products Ltd

Tel: 01928 732 158 / Email: info@gordonproducts.co.uk