

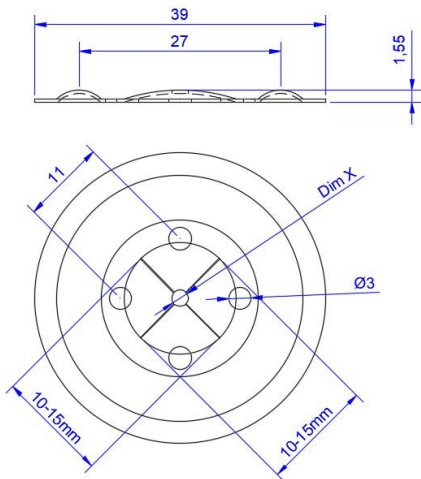
Galvanised None Return Washers Technical Specification

Formed sheet metal fixing for combined use with fixing pins or similar used in the fixing of fibrous materials commonly used in the insulation and fire protection industries. (NB *Gordon Products Ltd does not test nor certify use of this product for application. Gordon Products Ltd strongly recommends that the purchaser or end user should ensure that appropriate testing and certification by relevant bodies is in place for the application intended.*)

Essential Characteristic

Performance

Material	0.4mm Pre Galvanised Steel to BS EN10142:2000 / EN10147:2000
Specification Grade	DX51D - Z275
Tensile (Rm N/mm ²)	270 - 500
Types	39mm OD with bore hole to suite a variety of wire diameters.
Tolerances & Dimensions	Linear +/- 0.5mm, Angular +/- 0.5°



Non Return Galvanised Washer available to suit differing wire diameters

GIWS39180 — Dim X suitable for 1.8-1.95mm diameter wire (Gordon Products Fixings Pins)

GIWS39250—Dim X suitable for 2.4-2.6mm diameter wire (Gordon Products Fixing Pins)

GIWS39295 — Dim X suitable for 2.6-3.0mm diameter wire (Gordon Products Ltd S Pins and other)

Gordon Products Ltd - Developing & Manufacturing Metal Components since 1965

Wire Forms

Forming & Pressing

Welding

Laser Cutting

Paint & Coatings



For more information check out our website at www.gordonproducts.co.uk