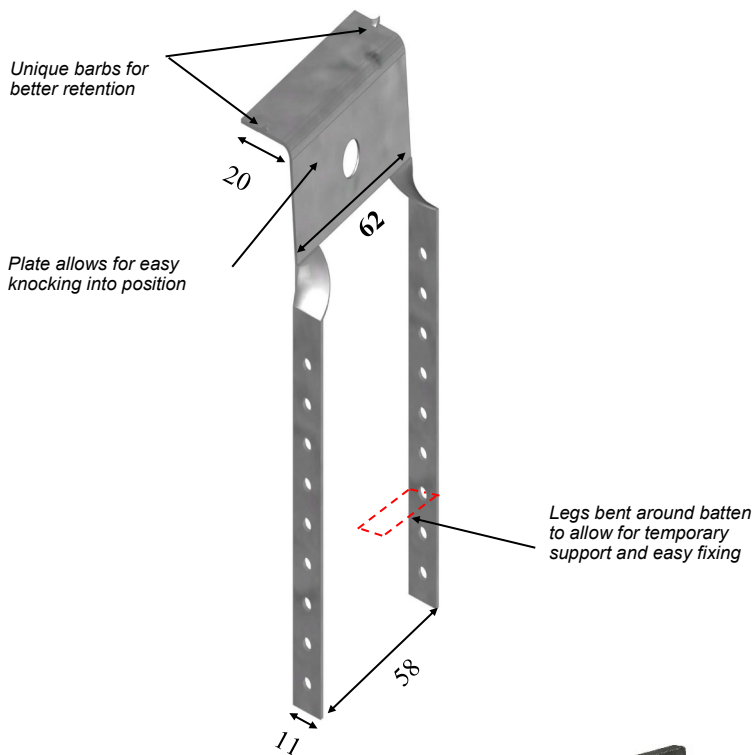


The UNICLIP Range Technical Specification



*Compliant with BSEN 13964:2004 +A1:2006 Annex ZA.1.3
For use as a sub structural component in a suspended ceiling structure*

For the fixing of ceiling battens to precast concrete floors.
Suitable for use with beam and block flooring systems.
Allows fixing after the blocks have been laid.



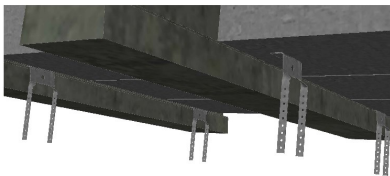
Standard Nominal Dimensions

145mm O/A (suitable for 150-155mm deep beams)
195mm O/A (suitable for 175-200mm deep beams)
225mm O/A (suitable for 225mm deep beams)

Manufactured from
0.7—0.8mm galvanised mild steel to
BS EN 10326:2004

As with all clips, fixing is advised prior to grouting the floor.

Typical usage - 4-5 clips per metre².



Gordon Products Ltd - Developing & Manufacturing Metal Components since 1965

Wire Forms

Forming & Pressing

Welding

Laser Cutting

Paint & Coatings



For more information check out our website at www.gordonproducts.co.uk