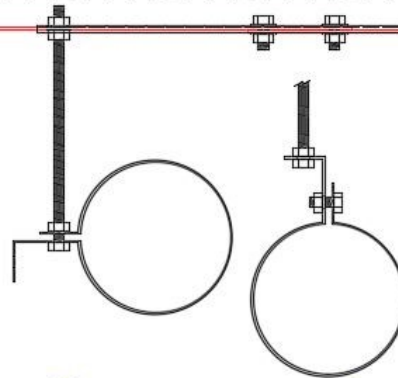
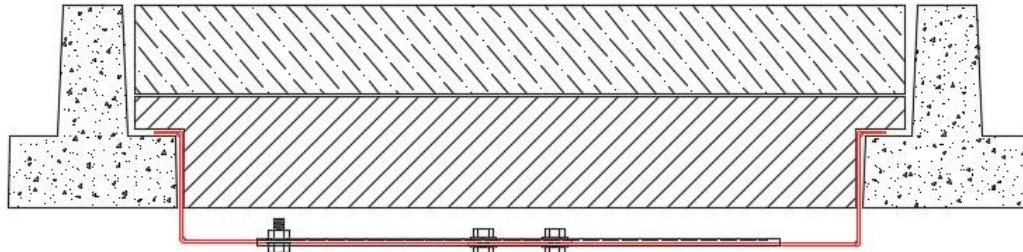


Additional Stiffener Plate for use with Adjustable Bridge Brackets

110mm Pipe Support Bridge for under insulation block for
 shown with Stiffener Plate

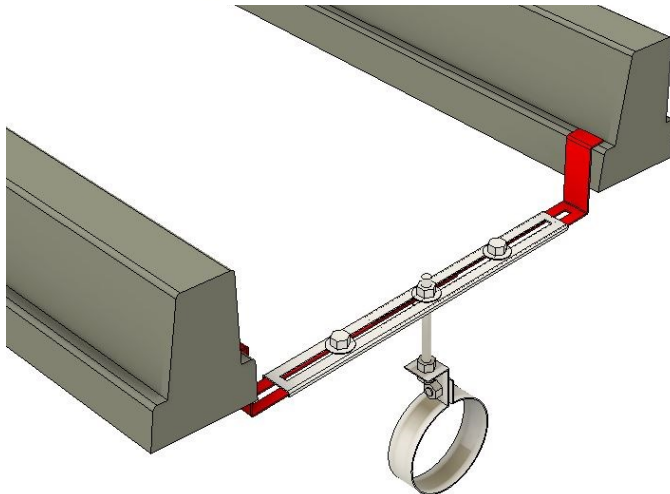
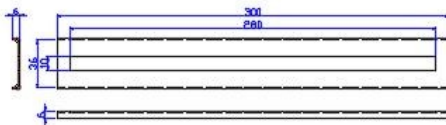


Adjustable Bridge Pipe bracket Kit List

- 2 x Brackets
- 2 x M8x30mm Bolt
- 6 x M8 Washers
- 1 x 333mm M8 Stud Length
- 6 x M8 Nuts
- 1 x 110mm Dia Pipe Bracket - Cropped Last Bend

Optional Extras

- 300mm Stiffener Plate - GMPS00022-300
- 400mm Stiffener Plate - GMPS00022-400



The stiffener plate is a 'U' Section channel with clearance slot and increases structural rigidity for applications where ground support by means of aggregate substrate cannot be used and brackets are fully suspended such as in secondary floor applications.

Gordon Products Ltd - Developing & Manufacturing Metal Components since 1965

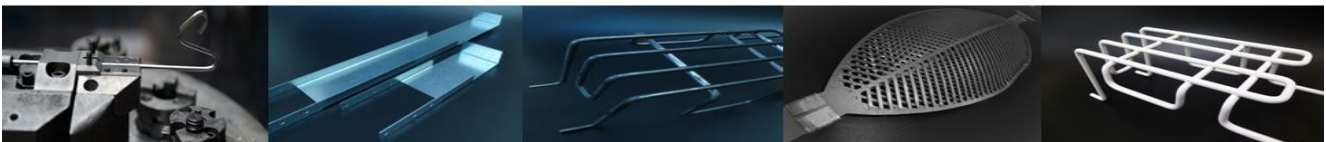
Wire Forms

Forming & Pressing

Welding

Laser Cutting

Paint & Coatings



For more information check out our website at www.gordonproducts.co.uk

Gordon Products Ltd

Tel: 01928 732 158 / Email: info@gordonproducts.co.uk